

OS&Y GATE VALVE

BRAND NAME : **CONFIRE**
MODEL : **Z41-300**
SIZE : **2.5" - 12" DIA.**
WORKING PRESSURE : **300 PSI.**
APPROVED : **UL/FM APPROVED**
CONNECTION : **FLANGED END**

MATERIAL OF CONSTRUCTION

BODY : **DUCTILE IRON**
WEDGE : **DUCTILE IRON WITH COATING EPDM**
HANDWHEEL : **DUCTILE IRON**
STEM : **STAINLESS STEEL 304**
BONNET : **DUCTILER IRON**



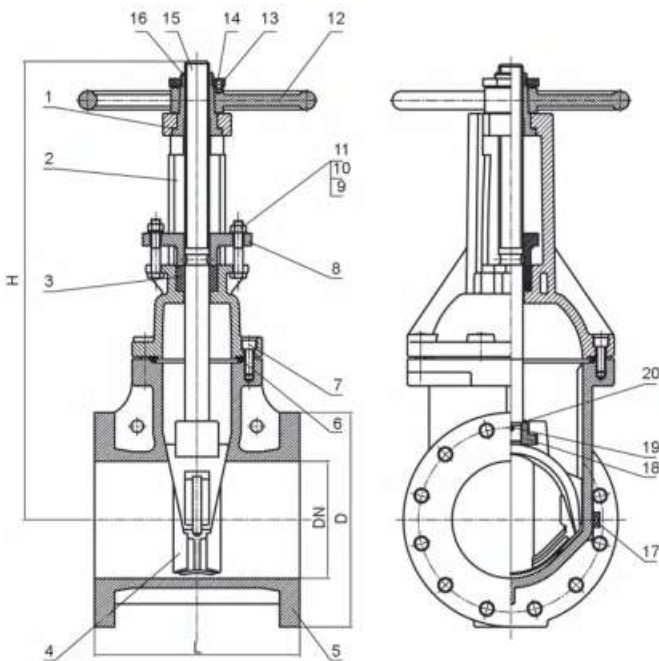
300PSI OS&Y Flanged End Gate Valve

Model: Z41-300

Resilient Wedge OS & Y Gate valve – Flanged End

Technical Features

- Nominal Pressure: 300PSI
- Flange Standard: ASME / ANSI B 16.1 Class 125 or ASME / ANSI B 16.42 Class 150 or BS EN 1092-2 PN 16 or GB / T9113.1
- Sizes: 2½", 3", 4", 5", 6", 8", 10", 12"
- Face to Face Standard : ASME B 16.10
- Approvals: UL, CUL, FM, NSF / ANSI 61 & NSF / ANSI 372, CCC
- Maximum Working Pressure: 300PSI (Maximum Testing Pressure: 600 PSI) conforms to UL 262, ULC / ORD C 262-92 , FM 1120 / 1130
- Maximum Working Temperature: 80°C / 176°F
- Coating Details: Epoxy coated interior and exterior by Electrostatic Spray or Coating upon request
- NPT plug on body with 2 operating nuts
- Certified lead-free by NSF / ANSI 61 & NSF / ANSI 372 is available



Valve Material List

NO.	Name	Material
1	Gasket	C95400
2	Bonnet	Ductile Iron
3	Packing	Graphite
4	Disc	Ductile Iron +EPDM
5	Body	Ductile Iron
6	Sealing Ring	EPDM
7	Bolt	Steel 1045
8	Gland	Ductile Iron
9	Nut	Steel 1045
10	Flat Washer	Steel 1045
11	Bolt	Steel 1045
12	Handwheel	Ductile Iron
13	Lock Nut	C95400
14	Locating Screw	Stainless Steel 304
15	Stem	Stainless Steel 304
16	Stem Nut	C95400
17	Plug	C95400
18	Lifting Nut	CF8
19	Pin	Stainless Steel 304
20	Sealing Ring	EPDM

Dimensions

Size	DN	L	D	H
2½"	65	190	178	370
3"	80	203	191	420
4"	100	229	229	447
5"	125	254	254	547
6"	150	267	279	607
8"	200	292	343	754
10"	250	330	406	890
12"	300	356	483	1031