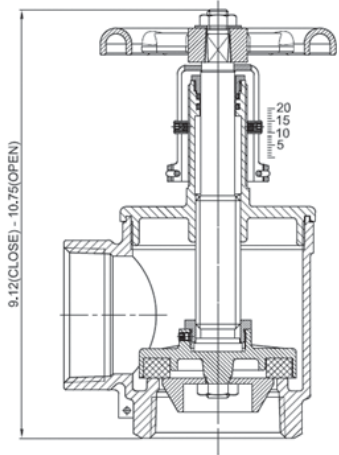
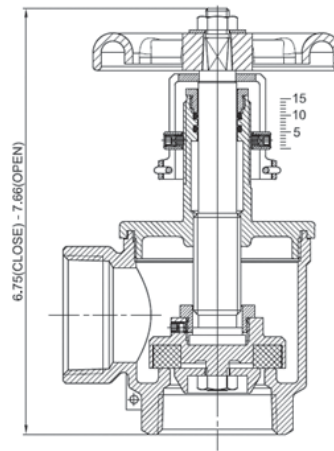




The Right Connection[®]

Pressure Restricting Angle Valves

UL listed and FM approved



Application:

- Pressure restricting valves are used when flowing water pressure needs to be controlled.

Material:

- Forged brass.

Features:

- Preset orifices which restrict the volume of water and thereby lower the pressure of the flowing water.

Approvals:

- UL listed and FM approved.

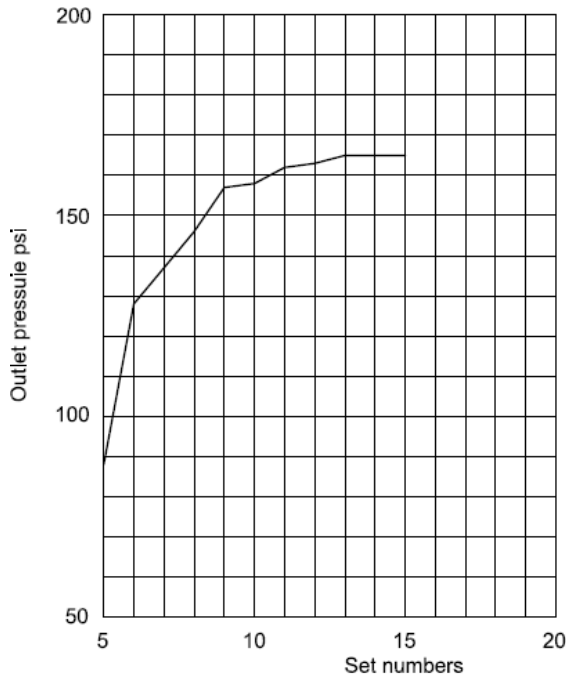
Model	Inlet Female NPT	Outlet Male NST (NH)	Forged Brass Part #
AVAPR15	1½"	1½"	AVAPR150F-H
AVAPR25	2½"	2½"	AVAPR250F-H

Model	Inlet Female NPT	Outlet Female NPT	Forged Brass Part #
AVAPR15	1½"	1½"	AVAPRF150-H
AVAPR25	2½"	2½"	AVAPRF250-H

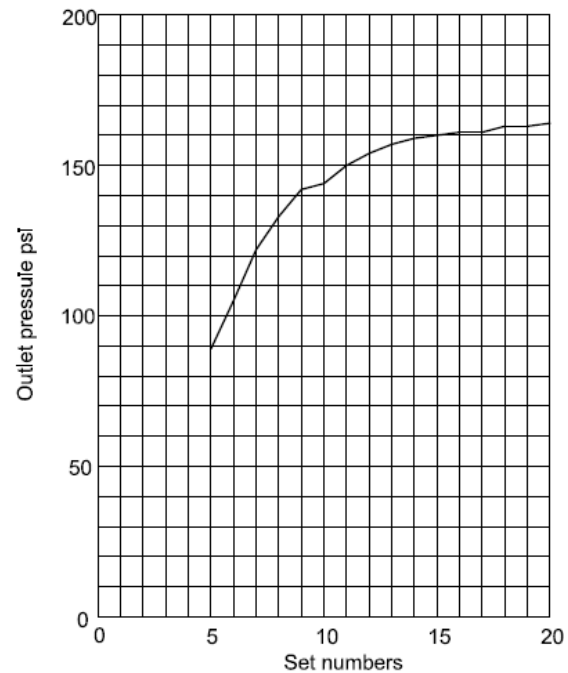
Note: installation instructions are on the following page.

Installation

1. Connect the valve to piping, turn the hand wheel counterclockwise to open the valve, and the water flows through the body from inlet side to outlet side. Turn the hand wheel clockwise to close the valve.
2. Reserve enough space to make sure that the valve can be fully opened and closed after assembly.
3. Adjust upper collar and indicator-cap of valve for different outlet pressures.
4. Select setting number according to graph below.

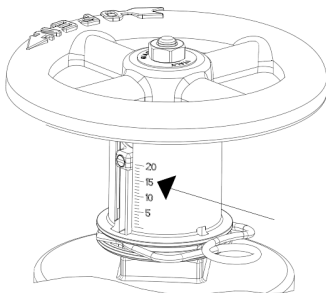


AVAPR150-1½"
Set numbers are based on figures obtained using 50 Ft of 1½ hose and a 1/2" non-adjustable nozzle. Inlet pressure 175psi and flow 100gpm



AVAPR250-2½"
Set numbers are based on figures obtained using 50 Ft of 2½ hose and a 1½" non-adjustable nozzle. Inlet pressure 175psi and flow 250 GPM

5. Pressure setting procedure For example: SET AT 15



1. Close the valve fully
2. Pull out the spring clip
3. Loosen the two screws in collar
4. Rotate indicator-cap until the top collar reaches 15
5. Tighten the screws in collar
6. Put on the spring clip
7. Open the valve to the maximum height, make sure the collar is fixed without movement

Dixon Valve (Singapore) Pte Ltd

25B Loyang Crescent

Blk 302 #02-08, Singapore 506817

Tel: +65 6232 5272 Fax: +65 6232 5270

dixonvalve.com.sg

**“Local” Brass Coupling Male Thread NPT,
Female Quick, Single twist release with Male
Cap & Chain Size 2.1/2”**

