

HOSE VALVES

ANGLE

FEMALE x MALE

FUNCTION: Used with a fire hose rack assembly or as a fire dept outlet connection.

REGULARLY FURNISHED: Cast brass valve with red handwheel. Female NPT inlet x male hose thread outlet. 300 PSI/20.6 bars.

Model

- 4060 1½"/3.8 cm Size
- 4065 2½"/6.4 cm Size

SPECIFY: Thread

OPTIONAL FINISHES:

- B Polished Brass
- C Rough Chrome Plated
- D Polished Chrome Plated

VARIATIONS:

Extended stem up to 24"/61 cm, **SPECIFY:** Length ⅛"/.3 cm petcock **SPECIFY:** Location.

Size	UL Listed	FM Approval	A in. cm	B in. cm	Closed C in. cm	Open C in. cm	D in. cm	E in. cm
1½" 3.8cm	YES	YES	2¼ 5.7	3½ 8.9	6½ 16.5	7½ 19	2½ 6.4	2 5
2½" 6.4cm	YES	YES	3½ 8.9	5 12.7	9½ 24.1	11½ 29.2	3½ 8.9	2¼ 6.9

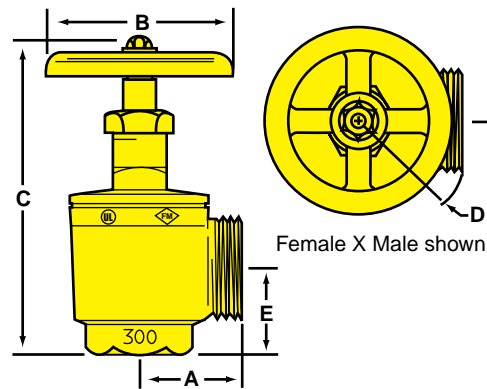
DOUBLE FEMALE

FUNCTION: Used with a fire hose rack assembly.

REGULARLY FURNISHED: Cast brass valve with red handwheel. Female NPT inlet and outlet. 300 PSI/20.6 bars.

Model

- 4070 1½"/3.8 cm Size
- 4075 2½"/6.4 cm Size



4060 & 4065



4070 & 4075



ADJUSTABLE PRESSURE RESTRICTING ANGLE VALVE

FEMALE x MALE

FUNCTION: Used with a fire hose rack assembly or as a fire dept outlet connection. Water pressure is controlled by adjustable flow restriction. If full flow is required, the restriction may be overridden.

REGULARLY FURNISHED: Cast brass valve with red handwheel with pressure restricting feature. Female NPT inlet x male hose thread outlet. 175 PSI/12 bars rated. Furnished with field setting chart.

Model

- 4080 1½"/3.8 cm Size
- 4085 2½"/6.4 cm Size

SPECIFY: Thread

OPTIONAL FINISHES:

- B Polished Brass
- C Rough Chrome Plated
- D Polished Chrome Plated

Size	UL Listed	FM Approval	A in. cm	B in. cm	Closed C in. cm	Open C in. cm	D in. cm	E in. cm
1½" 3.8cm	YES	NO	2¼ 5.7	3½ 8.9	6½ 16.5	7½ 19	2½ 6.4	2 5
2½" 6.4cm	YES	NO	3½ 8.9	5 12.7	9½ 24.1	11½ 29.2	3½ 8.9	2¼ 6.9

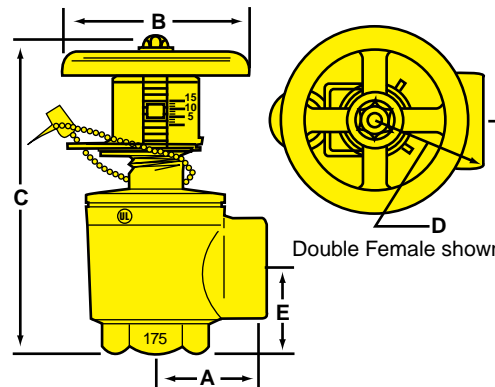
DOUBLE FEMALE

FUNCTION: Used with a fire hose rack assembly. Water pressure is controlled by adjustable flow restriction. If full flow is required, the restriction may be overridden.

REGULARLY FURNISHED: Cast brass valve with red handwheel with pressure restricting feature. Female NPT inlet and outlet. 175 PSI/12 bars rated. Furnished with field setting chart.

Model

- 4090 1½"/3.8 cm Size
- 4095 2½"/6.4 cm Size



4080 & 4085



4090 & 4095



***QUICK COUPLING ADAPTOR
WITH CAP & CHAIN FOR
ANGLE HOSE VALVE***



MATERIAL	:	CAST BRASS
CONNECTION	:	NH THREADED
SIZE	:	1 1/2", 2 1/2"