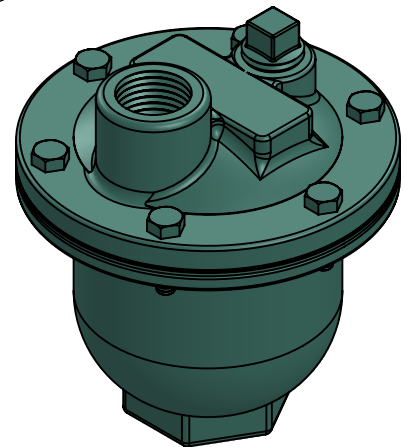
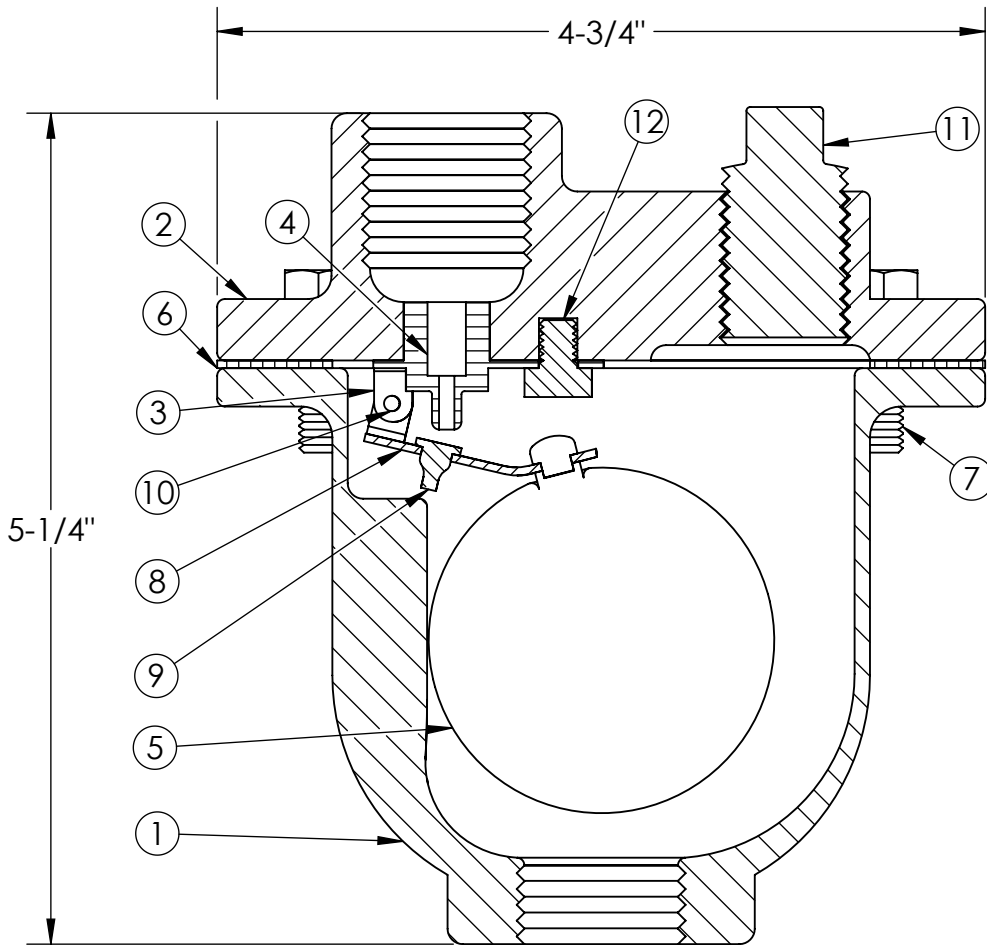


**MODEL MVC-15
METRAVENT AUTOMATIC
AIR VENT**



| PART | PART NAME | MATERIAL | PART | PART NAME | MATERIAL |
|------|-------------|-----------------|------|--------------------|-----------------|
| 1 | BODY | CAST IRON A126 | 7 | COVER BOLT | CARBON STEEL |
| 2 | COVER | CAST IRON A126 | 8 | FLOAT ARM | STAINLESS STEEL |
| 3 | LEVER FRAME | STAINLESS STEEL | 9 | ORIFICE BUTTON | FLUOROELASTOMER |
| 4 | SEAT | STAINLESS STEEL | 10 | PIVOT PIN/RETAINER | STAINLESS STEEL |
| 5 | FLOAT | STAINLESS STEEL | 11 | PIPE PLUG (0.5") | STAINLESS STEEL |
| 6 | GASKET | NON ASBESTOS | 12 | LOCATOR | STAINLESS STEEL |

| QTY | SIZE | PART NUMBER | MAX TEMP | INLET SIZE | OUTLET SIZE | ORIFICE SIZE | WT (LBS) |
|-----|-------------|-------------|----------|------------|-------------|--------------|----------|
| | 1/2" (15mm) | MVC150050 | 250 °F | 1/2" NPT | 1/2" NPT | 1/16" | 5-1/2 |
| | 3/4" (20mm) | MVC150075 | 250 °F | 3/4" NPT | 1/2" NPT | 1/16" | 5-1/2 |
| | 1" (25mm) | MVC150100 | 250 °F | 1" NPT | 1/2" NPT | 1/16" | 5-1/2 |

NSF 372 - LEAD FREE

The wetted surface of this product contacted by consumable water contains less than one quarter of one percent (0.25%) of lead by weight. Material complies with state codes and standards, where applicable, requiring reduced lead content.

CUSTOMER: _____

PROJECT: _____

ENGINEER: _____

| | | |
|--|-------------------------|---|
| REV. 1 | PART NUMBER UPDATED | DATE 2/28/2017 |
| | | 2323 W. HUBBARD ST. CHICAGO, IL 60612 TEL: 312-738-3800 FAX: 312-738-0415 WWW.METRAFLEX.COM |
| MODEL MVC-15 METRAVENT AUTOMATIC AIR VENT | | |
| DRAWN BY: DKISH | | DATE: 9/3/2015 |
| APPROVED: ZB | | DATE: 9/4/2015 |
| SCALE: N/A | DRAWING NUMBER: MVC15-1 | |