

## Fireriser® "Y" Strainer

Fig.No.:YS-300-FF

### Working pressure

21 Bar/ 300 PSI

### Flanged Ends

ANSI B16.1 Class125/150/250,

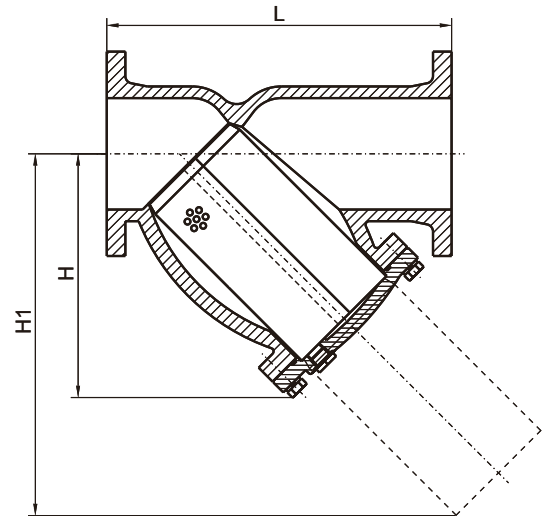
EN1092-2 PN10/PN16/PN25

BS10 Table D/Table E



### Materials List

Component	Material	Specification
Body	Ductile iron	A536 65-45-12
Cover	Ductile Iron	A536 65-45-12
Screen	Stainless Steel	AISI 304
Gasket	EPDM	
Plug	Carbon Steel	



### Dimensions(mm/inch)

SIZE	mm	50	65	80	100	125	150	200	250	300
	inch	2	2 1/2	3	4	5	6	8	10	12
L	mm	203	254	260	308	398	472	550	654	762
	inch	7.99	10	10.24	12.13	15.67	18.58	21.65	25.75	30
H	mm	132	158	175	202	290	334	391	460	590
	inch	5.20	6.22	6.89	7.99	11.42	13.15	15.39	18.11	23.23
H1		195	240	270	320	425	495	570	700	840
		7.68	9.45	10.63	12.60	16.73	19.49	22.44	27.56	33.07