

Highriser[®] Check Valve

ANTI-WATER HAMMER CHECK VALVES

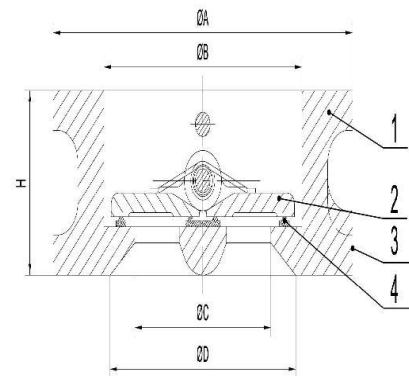
Fig.No.: **DDCV-1161-F-300**

Working pressure: 21 BARS/300PSI



Materials List:

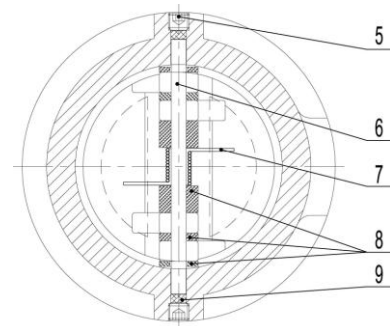
Part Name	Material
Body	ASTM A536 65-45-12
DISC	CF8
ID.Plate	Anodised Aluminium
Seat	EPDM
BOLT	SS304
Stem	SS416
Spring	SS304
Washer	PTFE
Gasket	EPDM



INSTALLATION

Must be installed in the vertical position with upward flow only.

When installed in the horizontal position, the hinge pin must be in the vertical position.



Dimensions (inch/mm):

Size	2-1/2"/65	3"/80	4"/100	5"/125	6"/150	8"/100	10"/125	12"/300
A	122	134	162	192	218	273	329	384
B	80	94	117	145	170	224	265	310
C	55	67	85	106	131	176	227	267
D	75	90	110	140	165	220	260	300
H	46	64	64	70	76	89	114	114

Notes:

- Working Pressure 300 PSI(21 BARS) for fire protection service.
- Stainless steel disc for excellent corrosion resistance.
- Design and materials are subject to change without notice.