



Fire  
Protection  
Products

2014 Edition

**Fivalco®**

Trusted For Quality For Over 25 Years

[www.fivalcovalves.com](http://www.fivalcovalves.com)



Quality  
For  
25 Years



Better  
By  
Design



## Fireriser® Grooved Butterfly Valve

### Grooved Butterfly Valve-300PSI-21Bars Grooved End

Fig No. **FPB-300G**

#### Specifications

**Working Pressure: 300 PSI (21 Bars)** -Non Shock Coldwater

**Temperature: from -20 °C to 110 °C**

**Max.Test Pressure: 600 PSI (42.8 Bars)/FM Standard 1112**

Factory installed UL, listed double Tamper Switches

Valve Approved For Indoor and Outdoor Use

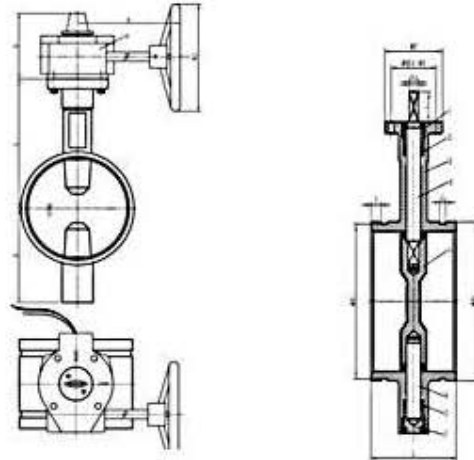
Grooved Ends To Suit BS or ANSI Pipe Size

Conforms To MISS SP67 / BS EN 593:2009



#### Materials List:

Component	Material
Signal Gearbox	DI
Lower Shaft Sealing Nut	Carbon Steel
Lower Shaft	SS416
Disc	DI+EPDM
Upper Shaft	SS416
Body	DI
Shaft Seal	EPDM
Upper Shaft Sealing Nut	Carbon Steel



#### Dimensions (In):

Size	A	B	C	D	E	F	G	H	K	J	P	M	N	d	L
2.5"	125	95	32	73/76.1	72.1	15.9	7.9	111	218	152	90	70	9	10	96.4
3"	140	100	32	88.9	84.9	15.9	7.9	111	218	152	90	70	9	11	97
4"	160	100	32	114.3	110.1	15.9	9.5	111	218	152	90	70	9	14	115.1
5"	170	125	32	139.7/141.3	137	15.9	9.5	111	218	152	90	70	9	14	132.4
6"	190	140	32	165.1/168.3	164	15.9	9.5	111	218	200	90	70	9	16	132.4
8"	230	175	32	219.1	214.6	19	11.1	126	232	290	125	102	12	19	147.4
10"	260	200	45	273	268.3	19	12.7	126	232	290	125	102	12	22	159
12"	300	240	45	324	318.3	19	12.7	161	252	350	150	125	14	24	165

#### Notes:

Clearly Specify Grooved Dimensions On All Orders

We Reserve The Right To Change Specifications Without Notice.

UL Listed All Sizes 2-1/2" to 6" FM Approved and 8" to 12" Pending

## Fireriser® Butterfly Valves Installation Guide

### Switch Installaion

Fivalco butterfly valves are provided with internal supervisory position switches. The tamper switch operates by a cam connected to the vallyve stem. The switch will change positon and close within two(2) full turns of the hand wheel from the fully open position.

#### Switch#1:

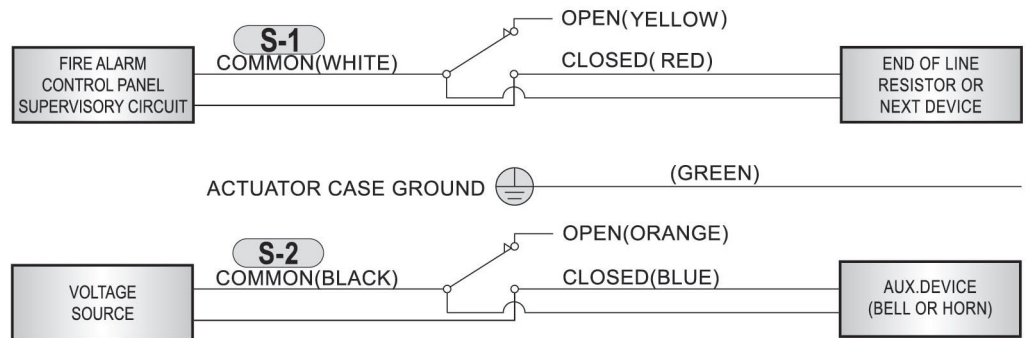
For connection to the supervisory circuit.

Normally closed : 2 Red  
 Normally open : 2 Yellow  
 Common : 2 White

#### Switch#2:

Auxiliary switch connected per authority.

Normally closed :1 Red  
 Normally open :1 Blue  
 Common :1 Black  
 Ground Lead :1 Green



**NOTES** 1.RATED:5A-1/6HP-125/250V